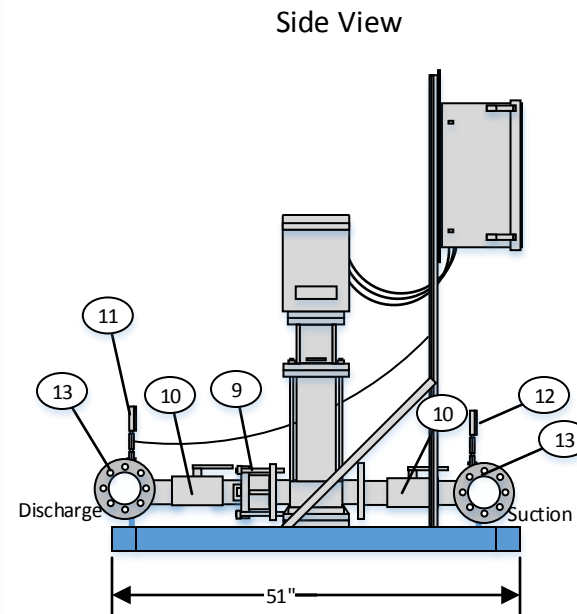
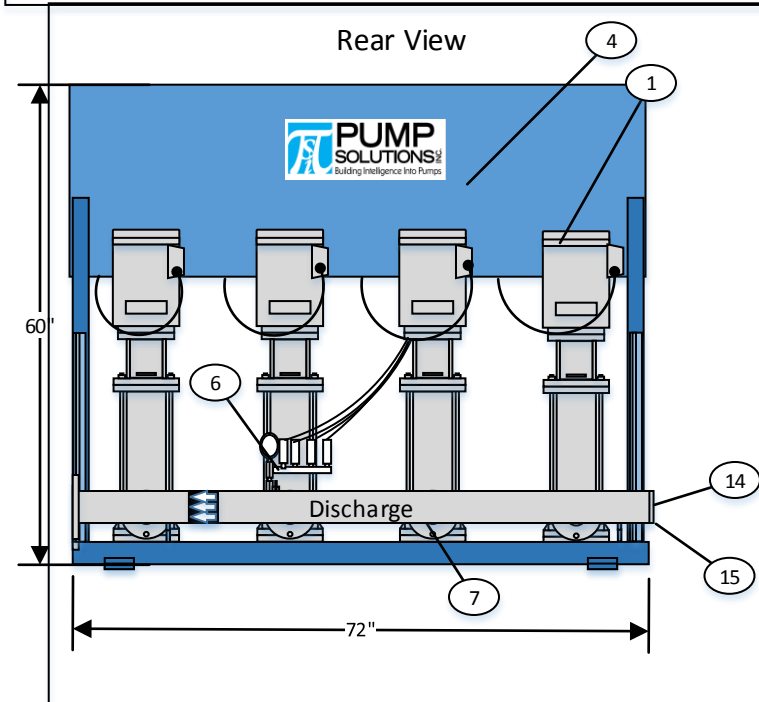


SYM	QTY	DESCRIPTION
1	4	
2	4	
3	1	FluidMaster Quad Control Panel
4	1	Aluminum Back Plate Assy
5	1	Tubular Steel Base
6	1	Assembly- Quad, Transducer and Purge Line
7	2	Assembly- Header- Discharge
8	2	Assembly- Header- Suction
9	4	Flomatic Wafer Style Check Valves
10	8	Jomar S-100 Ball Valves
11	1	Pressure Gauge-Liquid Filled 0-300PSI
12	1	Pressure Gauge-Liquid Filled 0-100PSI
13	2	Flange High Pressure 8 Hole
14	2	Cap, Plug Standard Groove
15	2	Victaulic Coupling Grvd



NOTES

- APPROVED FOR POTABLE WATER USE PER NSF61 AND NSF61 ANNEX G.
- MANIFOLDS GROVED BOTH ENDS TO ALLOW FOR FIELD CONNECTIONS TO EITHER END.
- 48" CLEARANCE (CLEAR TO GROUND) REQUIRED IN FRONT OF CONTROL PANEL PER 2005 NEC TABLE 110-26(A) (1) CATEGORY 3; USER ASSUMES ALL RESPONSIBILITY FOR EVALUATION OF SITE CONDITIONS IF USING CATEGORY 1 OR 2 CLEARANCES.
- ALLOW 24" SERVICE CLEARANCE AROUND SYSTEM: ALLOW 12" ABOVE SYSTEM FOR REMOVAL OF THE MOTOR.
- DO NOT USE FOR CONSTRUCTION PURPOSES UNLESS CERTIFIED
- ALL WELDING DONE BY ASME CODE SECTION 9 CERTIFIED WELDERS.
- DIMENSIONS SHOWN ARE FOR REFERENCE ONLY. ACTUAL DIMENSIONS MAY VARY.
- SOME COMPONENTS ARE NOT SHOWN FOR CLARITY.

THIS DRAWING AND THE INFORMATION DEPICTED THEREIN IS THE PROPERTY OF PUMP SOLUTIONS INC. COPIES ARE ISSUED IN STRICT CONFIDENCE AND SHALL NOT BE REPRODUCED OR COPIED, OR USED AS A BASIS FOR THE MANUFACTURE OR SALE OF PRODUCTS WITHOUT PRIOR WRITTEN PERMISSION OF PUMP SOLUTIONS INC.

